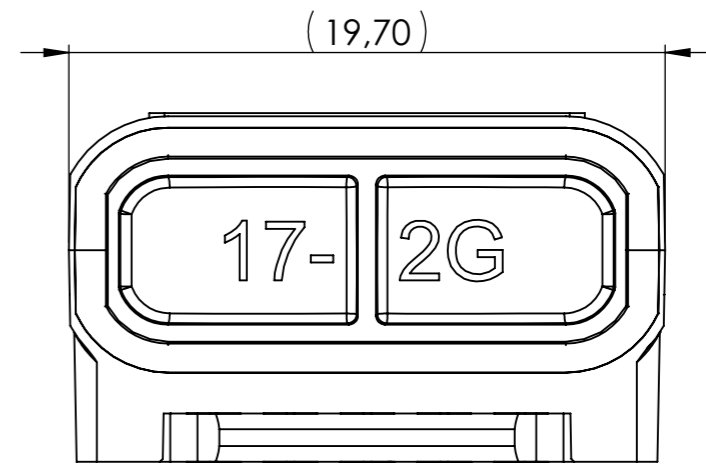
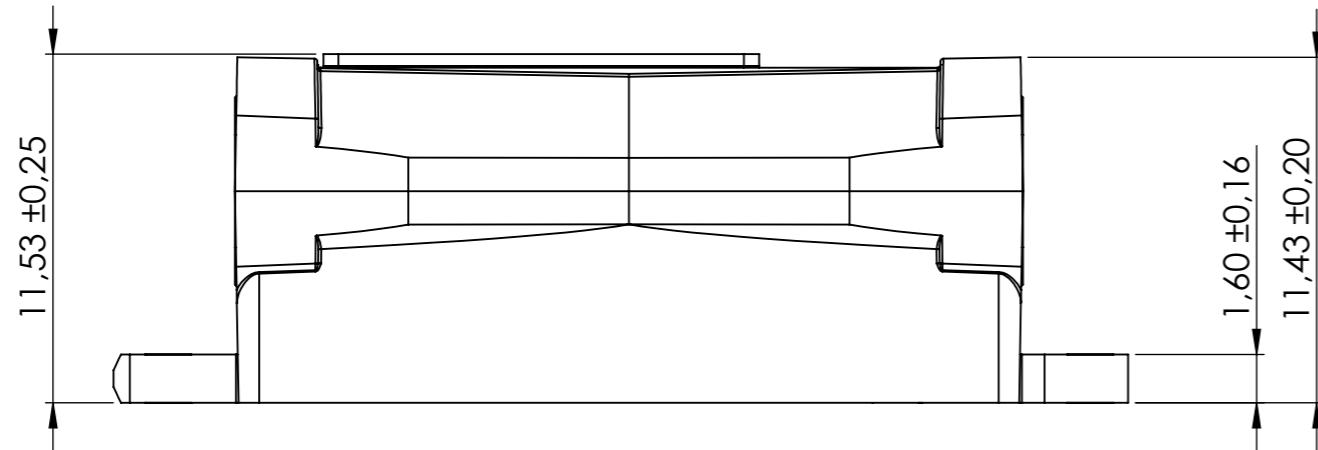
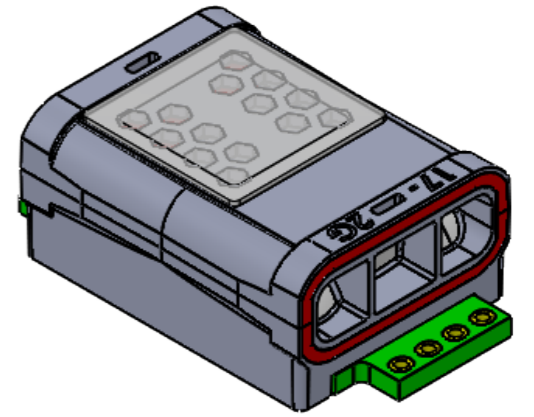
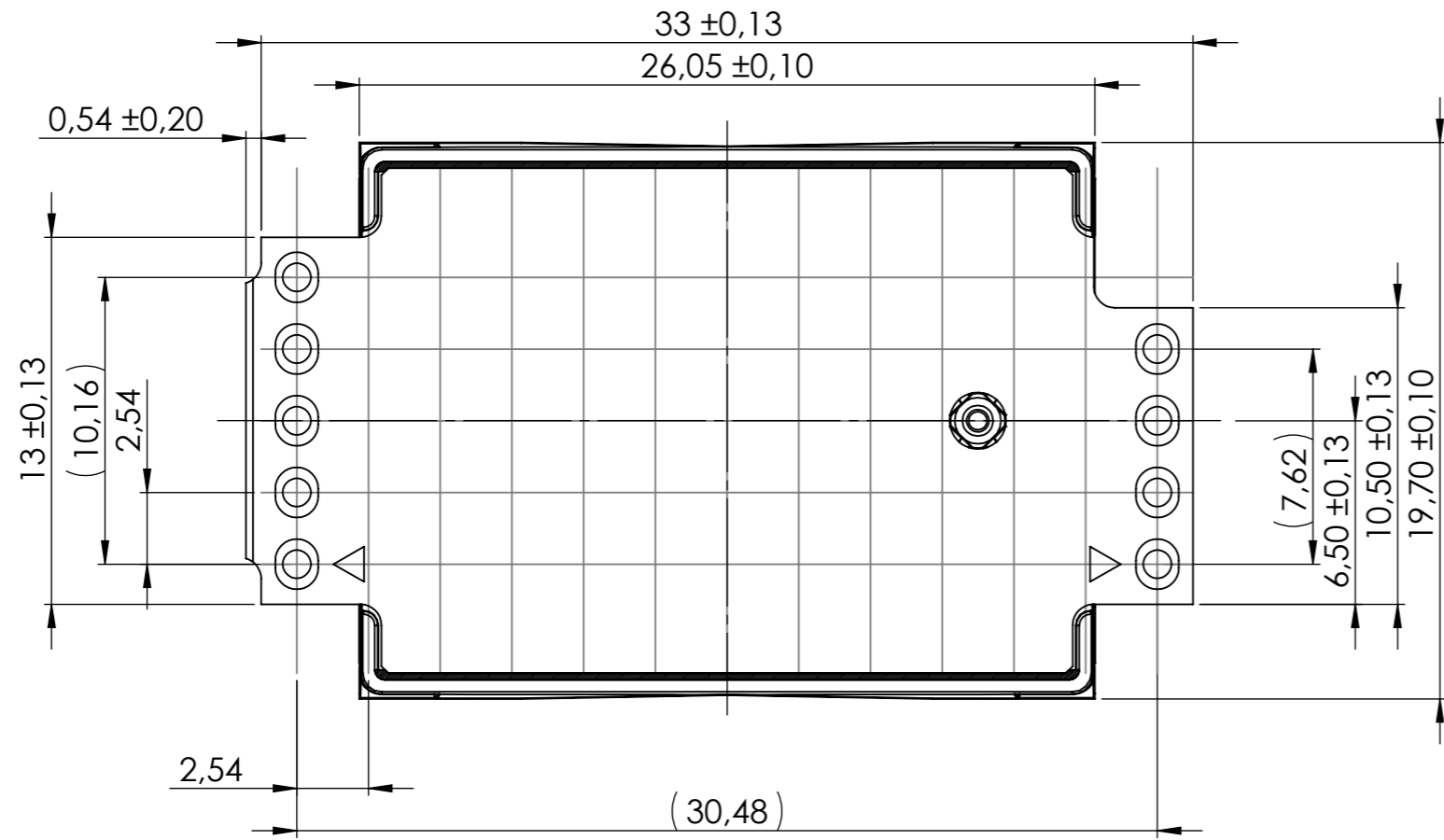



This document contains information that is confidential and/or proprietary to SenseAir AB
all rights to disclose and/or copy contents are reserved unless specified in writing by SenseAir AB



UNLESS OTHERWISE SPECIFIED: DIMENSIONS ARE IN MILLIMETERS TOLERANCES:			Drawn By JÄH	Date 2017-05-08	Description
			Approved By PR	Date 2018-03-14	
			Weight -		
			Scale 4:1	Format A3	Sheet 2 of 2
			Drawing No. 832-00073		Revision 1.00.000

