

x1

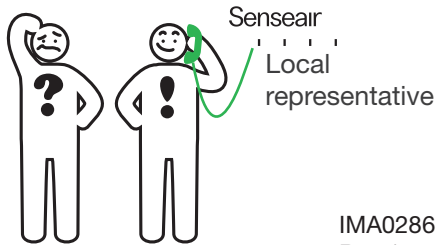
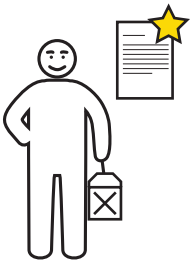
x1



x2



**NOTE:**  
The same ground reference has to be used for the tSENSE (Disp) unit and for the control system!



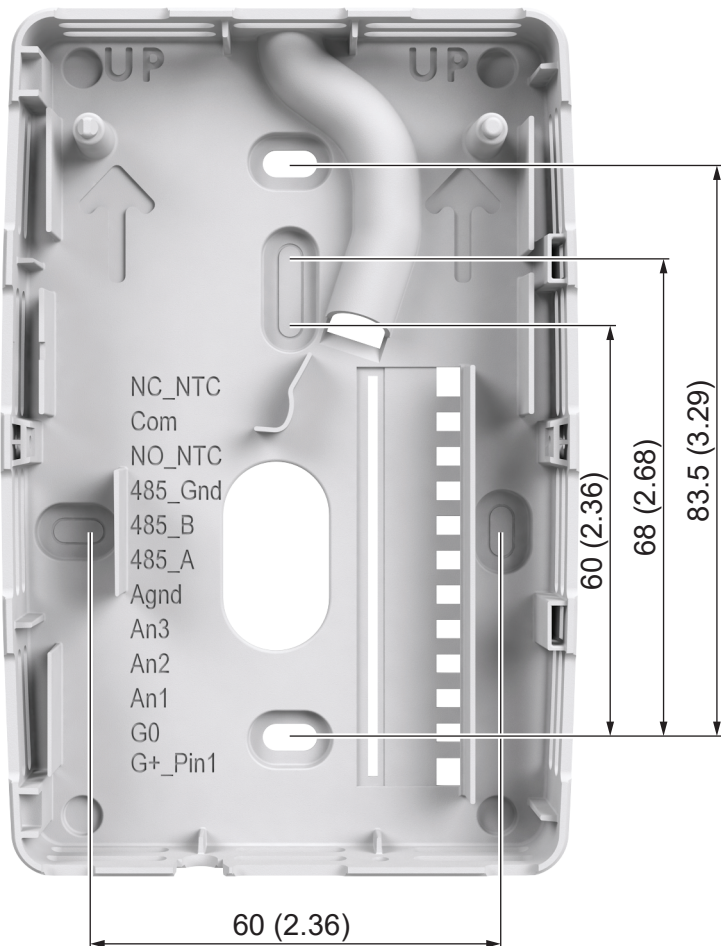
IMA0286  
Rev 15

# Installation manual tSENSE (Disp)

CO<sub>2</sub>, temperature and relative humidity sensor



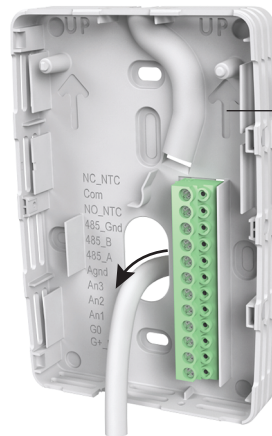
**Senseair**  
an Asahi Kasei company



[mm]  
([inches])

1

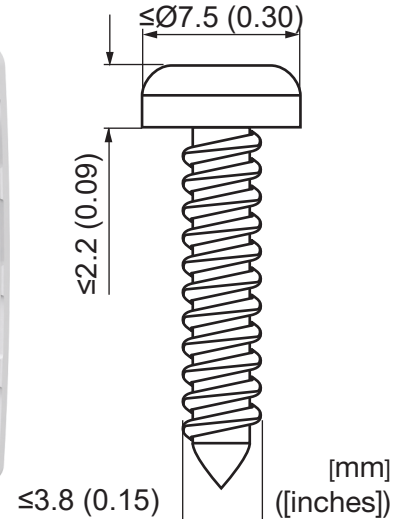
Alt. 1



Alt. 2

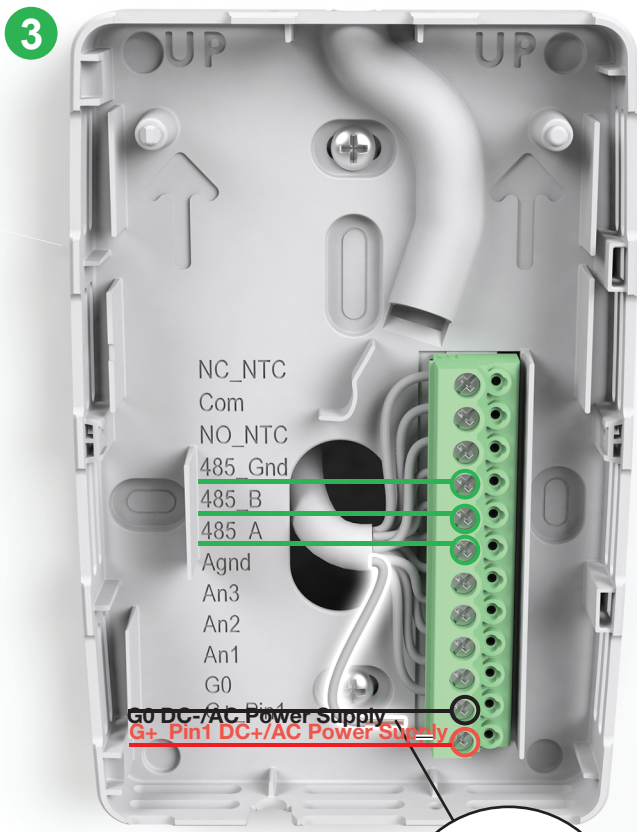


2



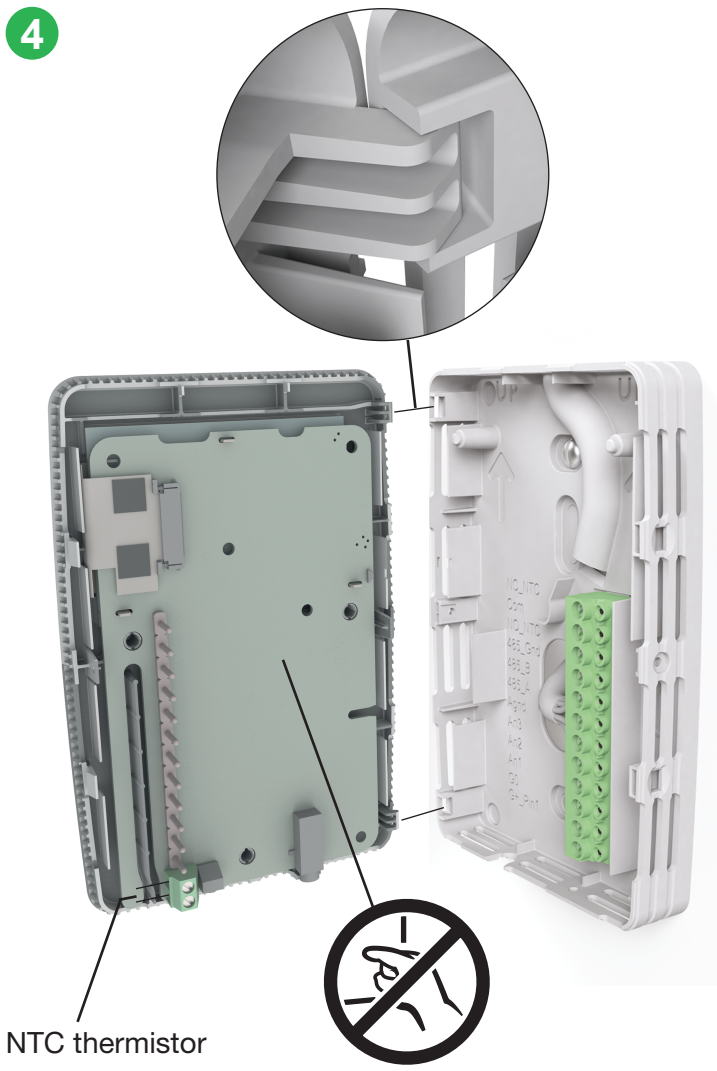
[mm]  
([inches])



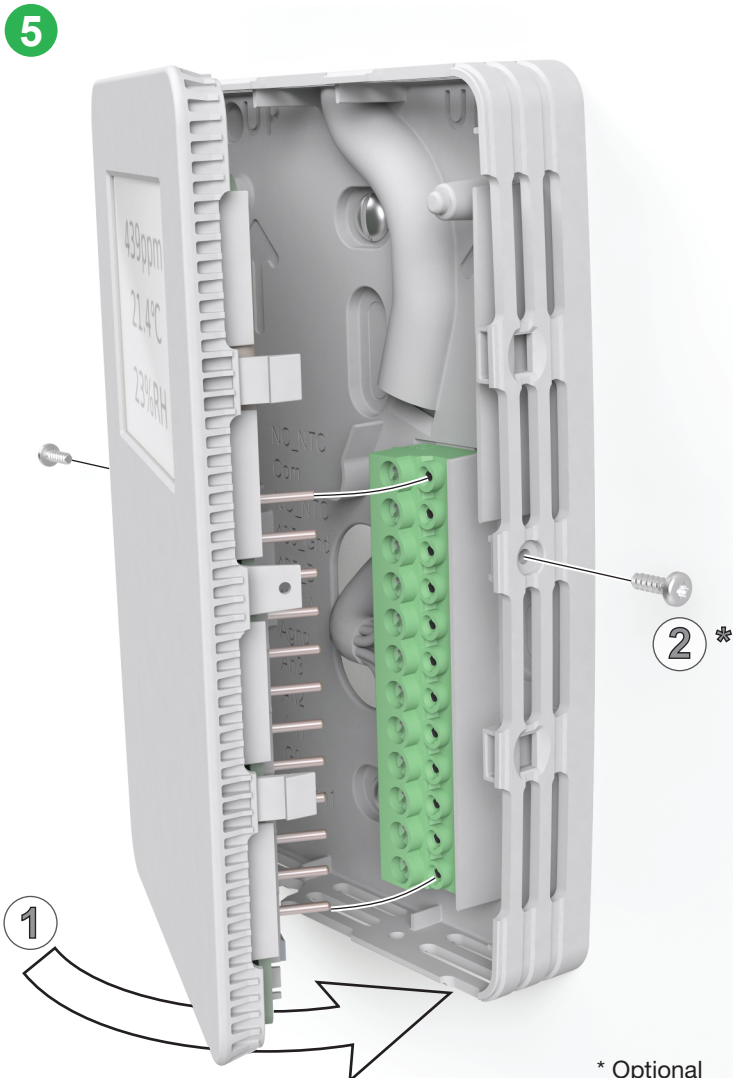


Relay NC (or NTC thermistor)  
 Relay Com  
 Relay NO (or NTC thermistor)  
 MB/BACnet RS-485 SC (G)  
 MB/BACnet RS-485 B (-)  
 MB/BACnet RS-485 A (+)

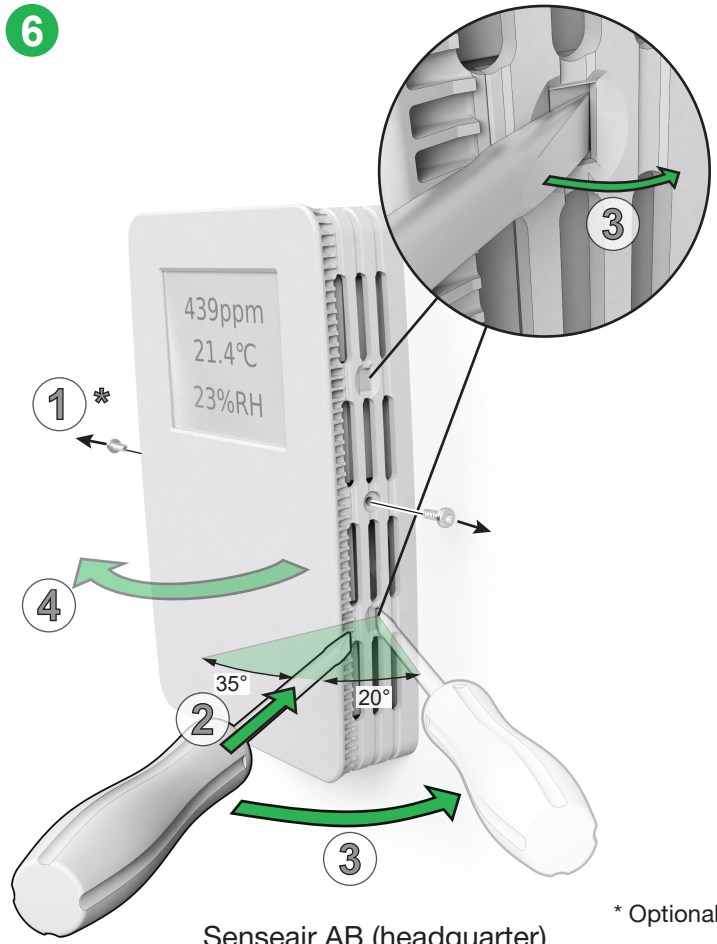
[mm]  
 ([inches])



NTC thermistor



\* Optional



\* Optional

Senseair AB (headquarter)  
 Stationsgatan 12, Box 96, 824 08 Delsbo, Sweden  
 Phone: +46-(0)653 - 71 77 70  
 www.senseair.com