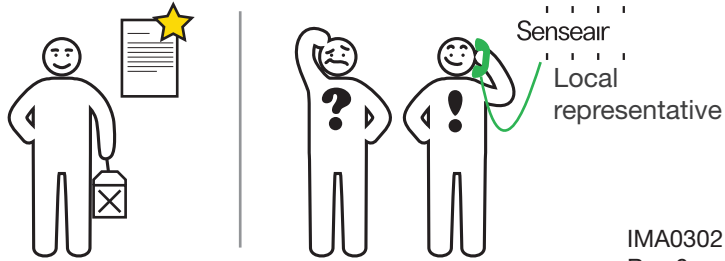


Installation manual tSENSE VAV

CO₂-, temperature- and relative humidity transmitter

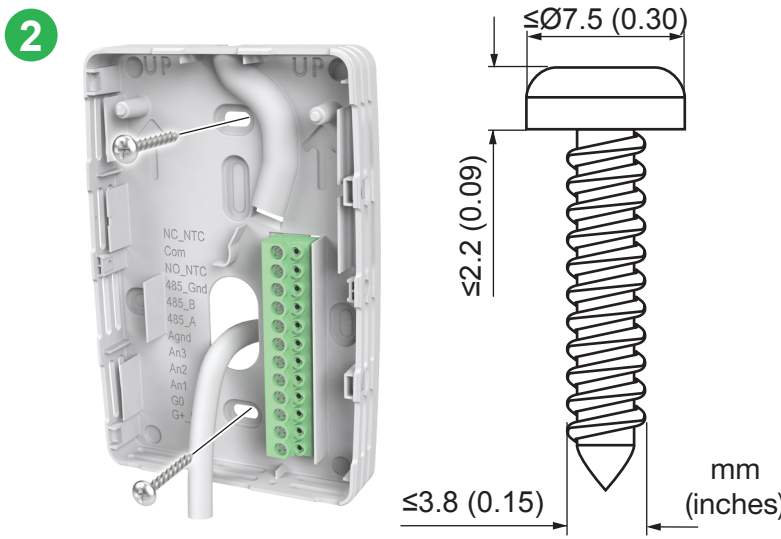
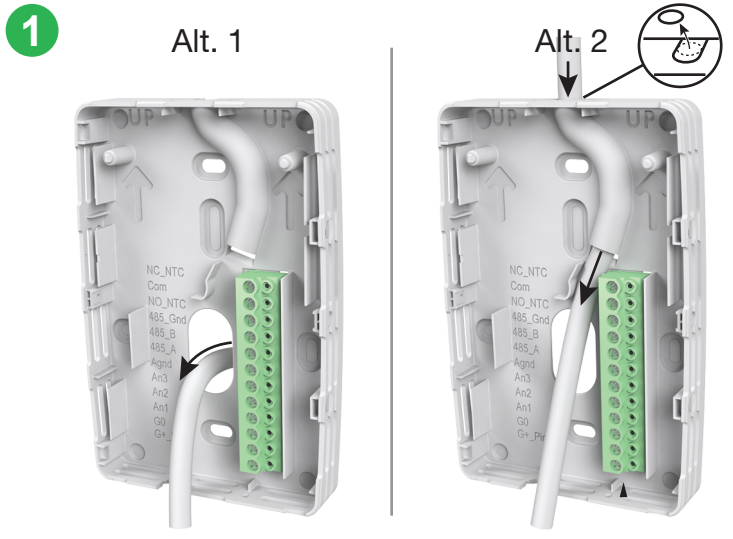
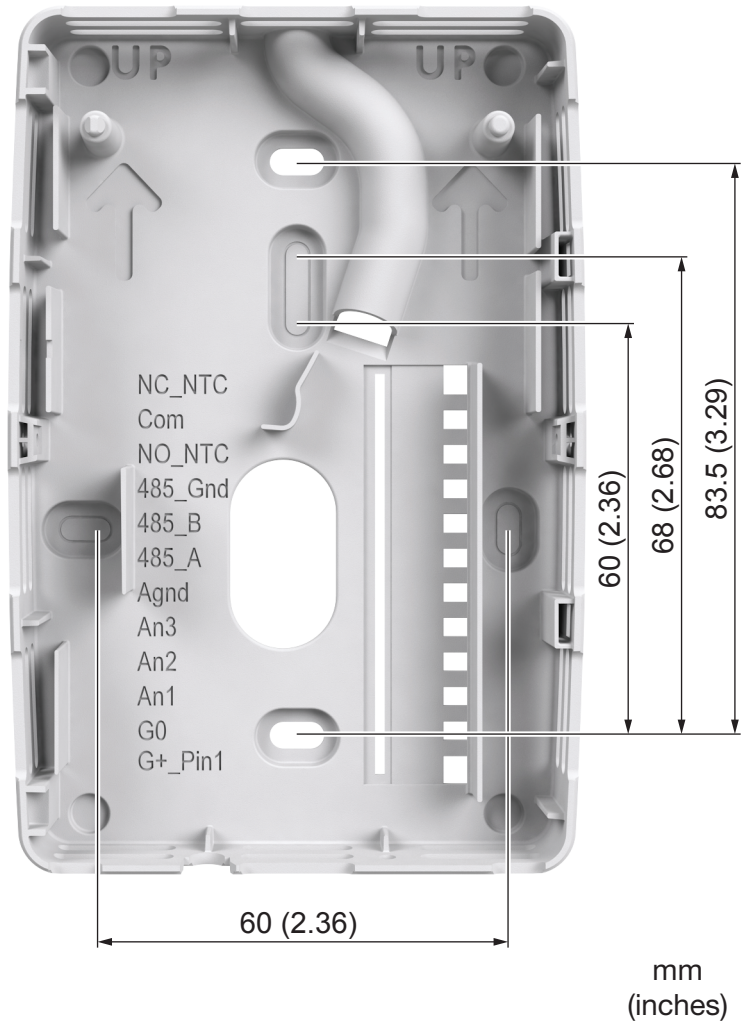


NOTE:
The same ground reference has to be used for the tSENSE (Disp) unit and for the control system!

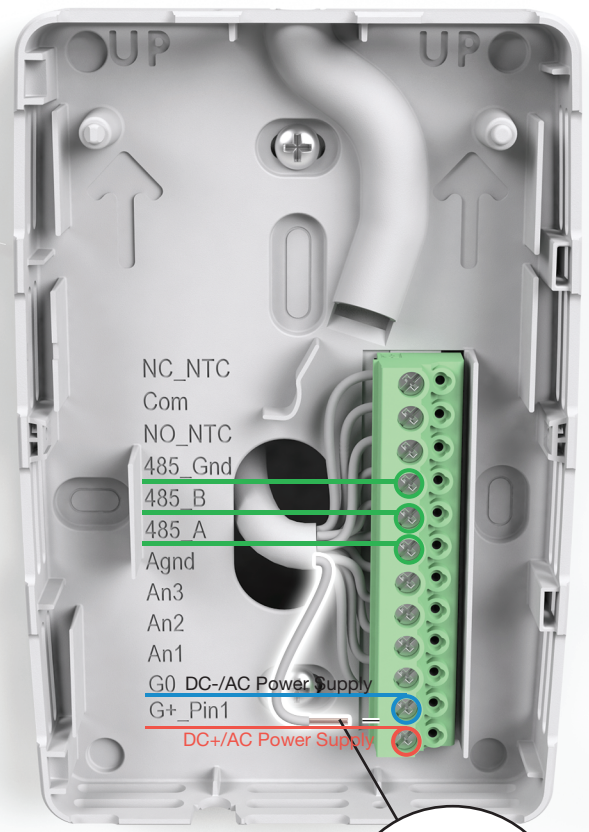


IMA0302
Rev 6

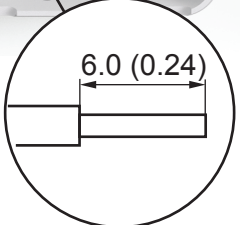
Senseair
part of AsahiKASEI



3

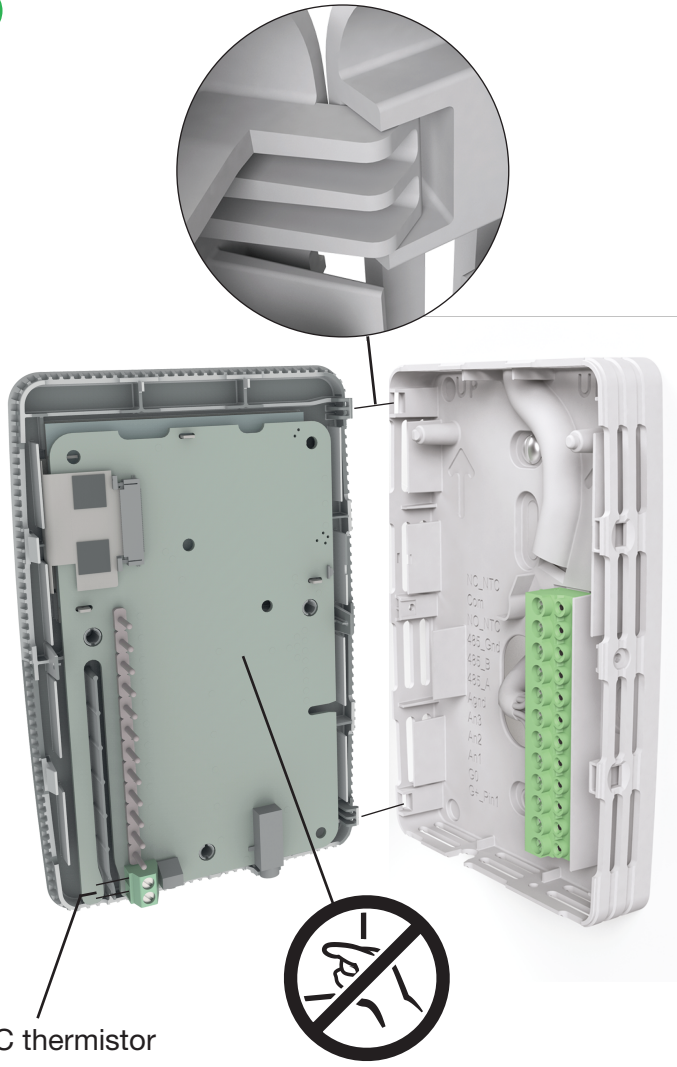


- Relay NC (or NTC thermistor)
- Relay Com
- Relay NO (or NTC thermistor)
- MB/BACnet RS-485 SC (G)
- MB/BACnet RS-485 B (-)
- MB/BACnet RS-485 A (+)



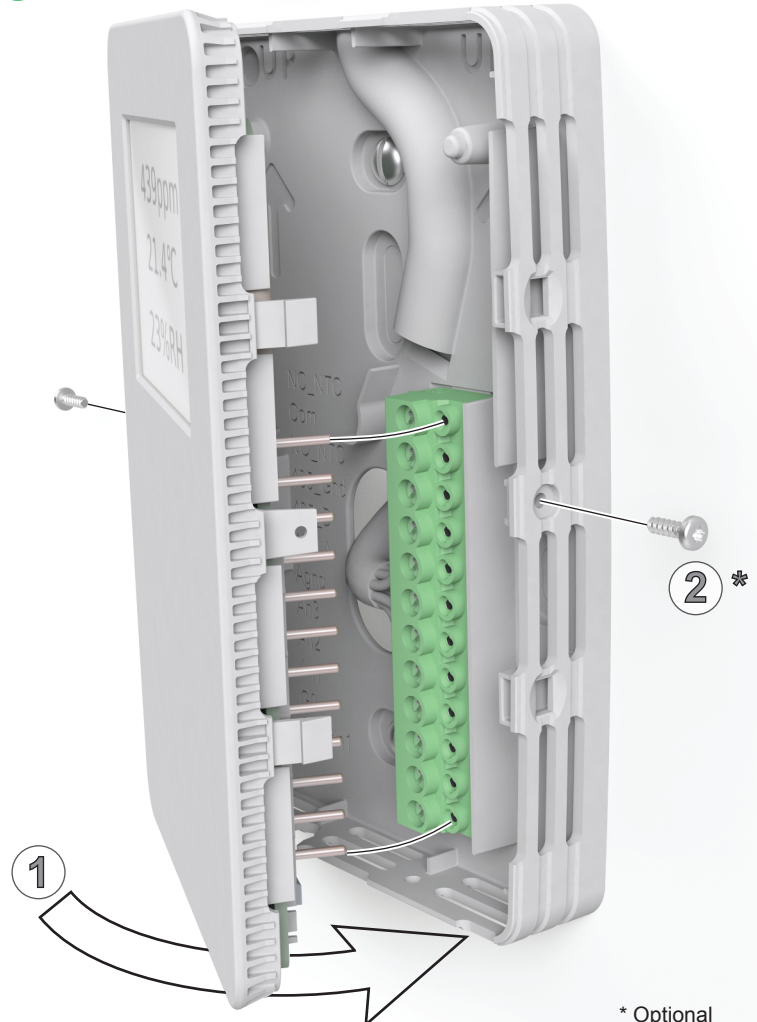
mm (inches)

4



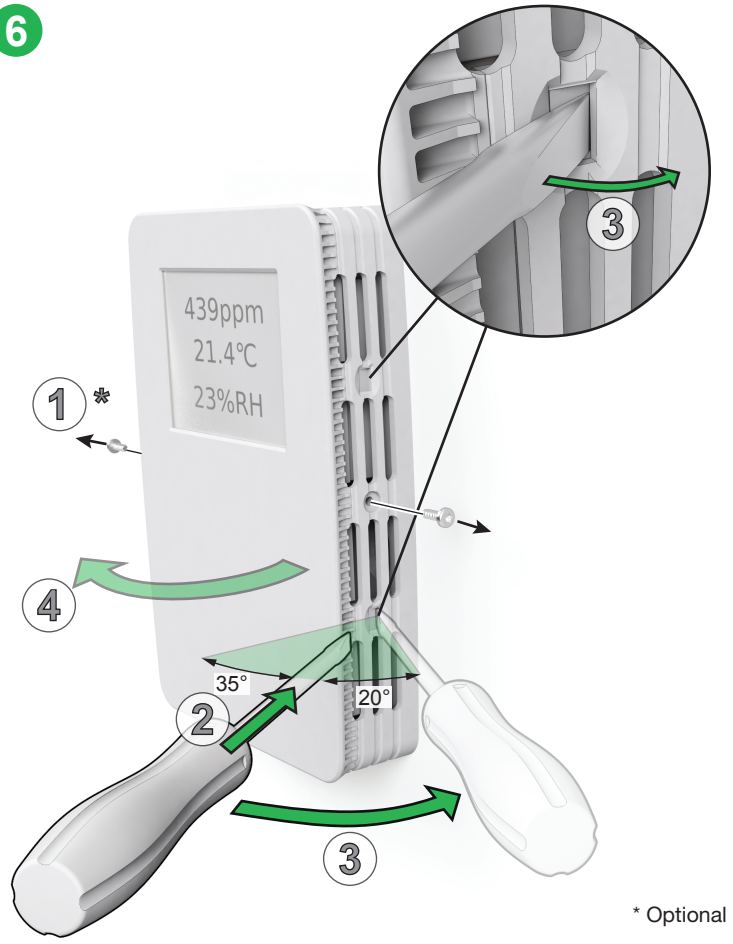
NTC thermistor

5



* Optional

6



* Optional

Senseair AB (headquarter)
 Stationsgatan 12, Box 96, 824 08 Delsbo, Sweden
 Phone: +46-(0)653 - 71 77 70
www.senseair.com